



PROKON
Glass Balcony Systems

Technical Catalog

www.alkoncambalkon.com

PROKON Sound insulation wall barrier

Compared to air pollution, noise has a major impact on your quality of life and causes psychological problems. Set sail for silence. With Prokon sound insulation, we offer noiseless living spaces away from stress.



PROKON Curtain Applications

Thanks to its superior features, the Isikon guide router works without interfering with the use of curtains by automatically closing. Isikon has a wide range of curtain applications. It is fully compatible with blinds and spring roller blinds. In addition to the curtain application, Isikon is compatible with all optional glass types thanks to comfort glass and reflective glasses that block sunlight.

Espagnolette Lock System

Alkon espagnolette lock provides security and comfort thanks to its 3-point non-stretching steel pins. In addition to offering an ethical solution against theft, it has an aesthetic appearance. You are safe with Alkon.

PROKON Water Blocking Barrier Dropper System

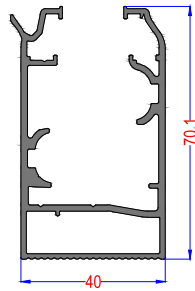
This system discharges rainwater and liquids formed by steam through the inclined dropper water outlet.



Glass Balcony System

PROKON SYSTEM

Glass Thickness and Properties	8 mm Glass
Glass Colors	Transparent, Smoked, Bronze, Green, Blue
Profile Colors	RAL Color Options
Accessory Options	Black, Gray
Insulation Equipment	Epdm Gasket, Barrier Insulation Brush, Aluminum Roving
Max Glass Panel Width	800 mm
Max Glass Panel Height	2800 mm
Max Number of Bidirectional Panels	24 Pieces
Rustproof Guarantee	10 years
Part Warranty	10 years
Part Procurement	10 years
Insulation Rate	90%
Service	2 Years
Liquid Drain System Ratio	95%
Noise Isolation	95%
Security	3-point non-stretchable steel pins are used with a spagnet lock



Profile Name:

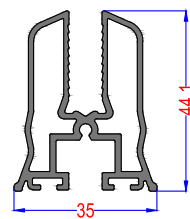
Rail Profil

Code Nr.:

PROKON-AL-1500

Weight kg/m:

8.2 kg - 6.50 m - (1261 kg/m)



Profile Name:

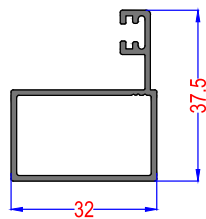
Panel Profil 8 mm

Code Nr.:

PROKON-AL-1501

Weight kg/m:

5.6 kg - 6.50 m - (876 kg/m)



Profile Name:

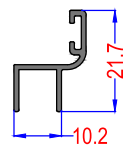
Side Jamb Profile 8 mm

Code Nr.:

PROKON-AL-1502

Weight kg/m:

2.8 kg - 6.50 m - (435 kg/m)



Profile Name:

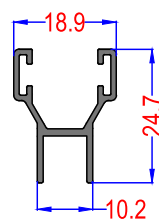
h Single Side Strip 8 mm

Code Nr.:

PROKON-AL-1503

Weight kg/m:

0.9 kg - 6.50 m - (141 kg/m)



Profile Name:

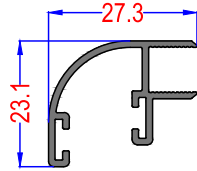
H Double Side Strip 8 mm

Code Nr.:

PROKON-AL-1504

Weight kg/m:

1.3 kg - 6.50 m - (215 kg/m)



Profile Name:

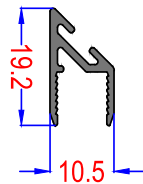
90° Corner Strip Profile 8 mm

Code Nr.:

PROKON-AL-1505

Weight kg/m:

1.7 kg - 6.50 m - (271 kg/m)



Profile Name:

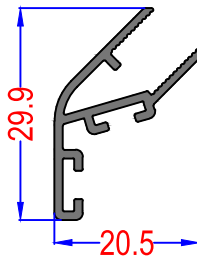
45° Corner Strip Profile 8 mm

Code Nr.:

PROKON-AL-1506

Weight kg/m:

0.9 kg - 6.50 m - (143 kg/m)



Profile Name:

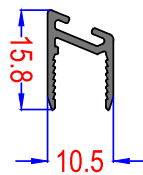
Section of 135° Joining 8 mm

Code Nr.:

PROKON-AL-1507

Weight kg/m:

1.5 kg - 6.50 m - (245 kg/m)



Profile Name:

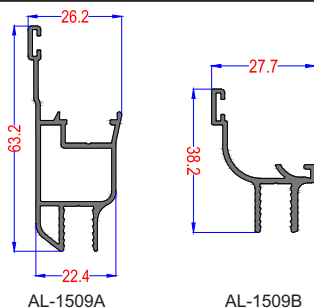
Section of 22,5° Joining 8 mm

Code Nr.:

PROKON-AL-1508

Weight kg/m:

0.8 kg - 6.50 m - (124 kg/m)



AL-1509A

AL-1509B

Profile Name:

Espagnolette Lock Profile 8 mm

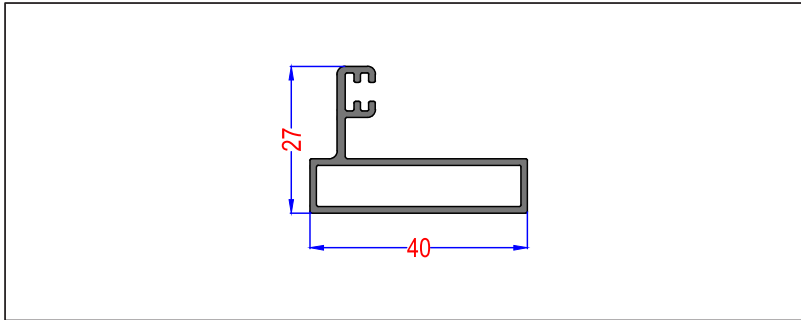
Code Nr.:

PROKON-AL-1509A-1509B

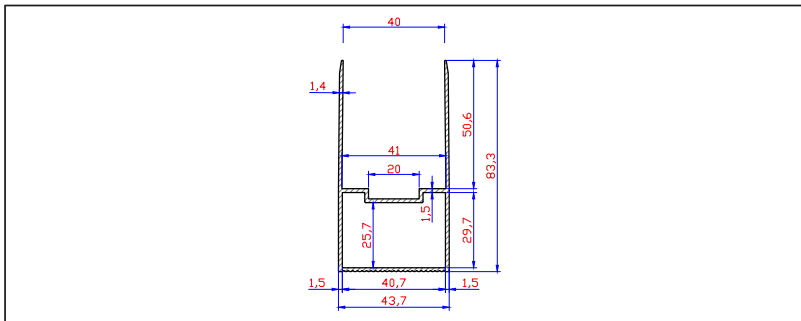
Weight kg/m:

5.8 kg - 6.50 m - (905 kg/m)

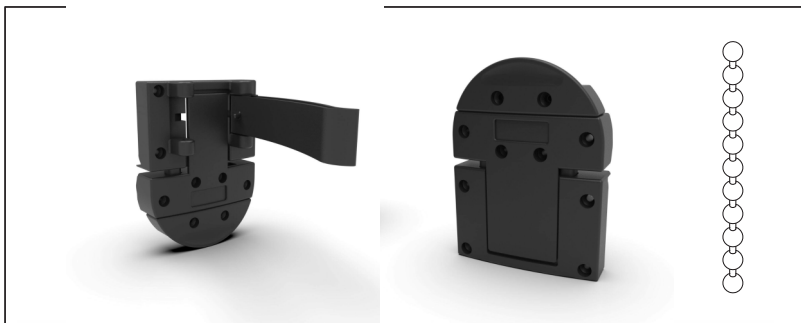
Glass Balcony System PROKON SYSTEM



Profile Name:
Side Jamb Profile 8 mm
Code Nr.:
PROKON-AL-1502-1
Weight kg/m:
2.8 kg - 6.50 m - (435 kg/m)



Profile Name:
U Mounting Drapery Box Profile
Code Nr.:
PROKON-AL-1535
Weight kg/m:
6.3 kg - 6.50 m - (969 kg/m)



Profile Name:
Look Set (Double Pin)
Code Nr.:
PROKON-AL-1510-1511-1511A
Material:
Polyamide



Profile Name:
Straight Panel Cap
Code Nr.:
PROKON-AL-1512-1513
Material:
Polyamide



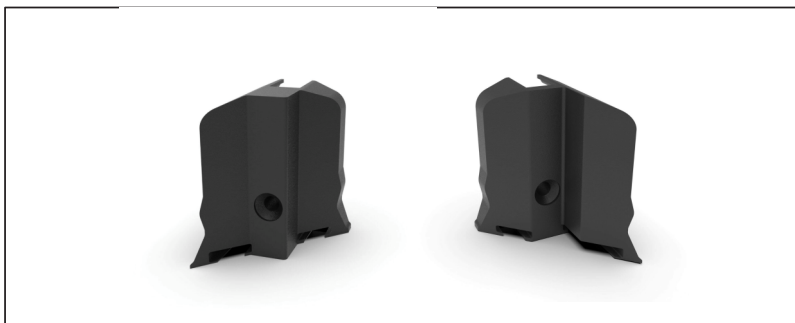
Profile Name:
Side Jamb Apparatus
Code Nr.:
PROKON-AL-1514
Material:
Polyamide

Glass Balcony System

PROKON SYSTEM



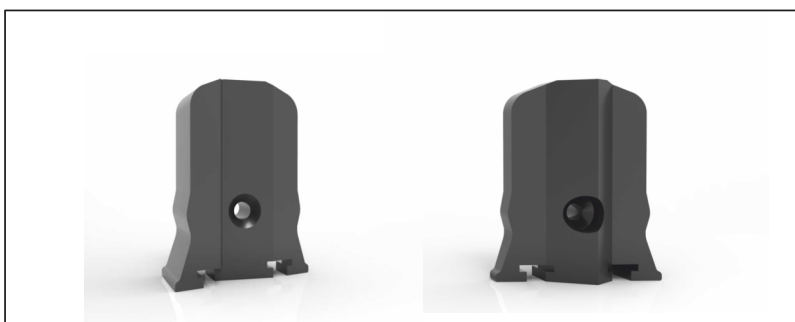
Profile Name:
Side Cover
Code Nr.:
PROKON-AL-1515-1516
Material:
Polyamide



Profile Name:
45° Panel Cap
Code Nr.:
PROKON-AL-1517-1518
Material:
Polyamide



Profile Name:
Guide Apparatus
Code Nr.:
PROKON-AL-1519
Material:
Polyamide



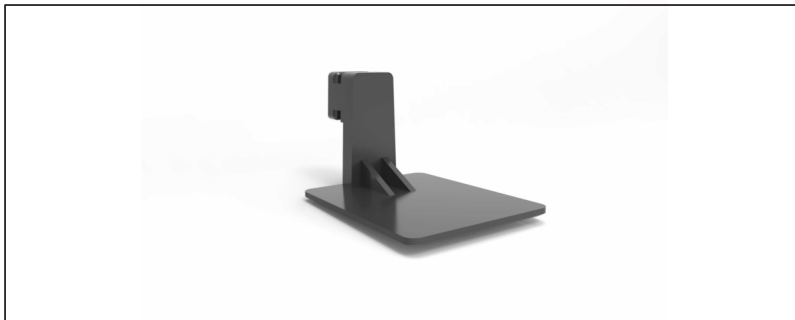
Profile Name:
22,5° Panel Cap
Code Nr.:
PROKON-AL-1520-1521
Material:
Polyamide



Profile Name:
U Output Apparatus
Code Nr.:
PROKON-AL-1522
Material:
Polyamide

Glass Balcony System

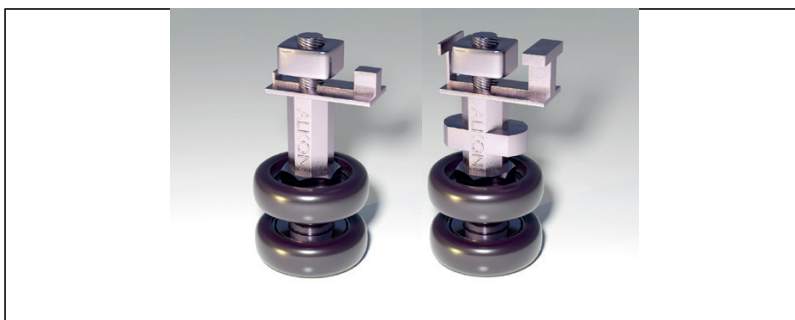
PROKON SYSTEM



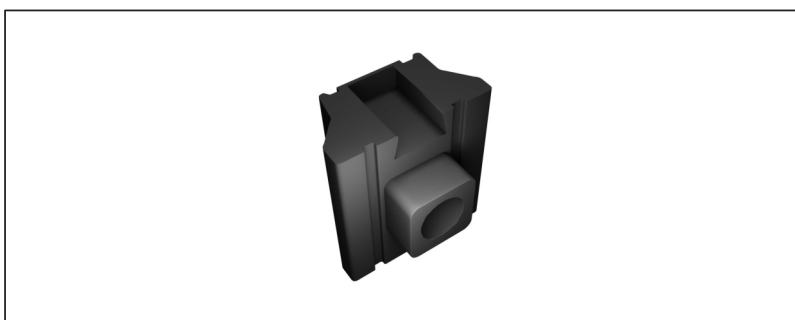
Profile Name:
Output Cap Apparatus
Code Nr.:
PROKON-AL-1523
Material:
Polyamide



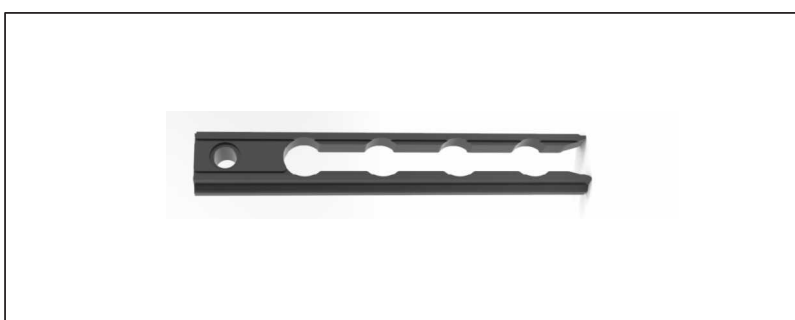
Profile Name:
Prokon Lock
Code Nr.:
PROKON-AL-1524
Material:
Polyamide



Profile Name:
Guide Straight Move Wheels
Code Nr.:
PROKON-AL-1525-1526
Material:
Polyamide



Profile Name:
Single Lama
Code Nr.:
PROKON-AL-1527
Material:
Polyamide



Profile Name:
Guide Wheels Socked 5 pcs
Code Nr.:
PROKON-AL-1528
Material:
Polyamide

Glass Balcony System

PROKON SYSTEM



Profile Name:
Guide Wheels Socked 8 pcs
Code Nr.:
PROKON-AL-1529A-1529B
Material:
Polyamide



Profile Name:
Hingers For The First Panel
Code Nr.:
PROKON-AL-1530-1531
Material:
Polyamide



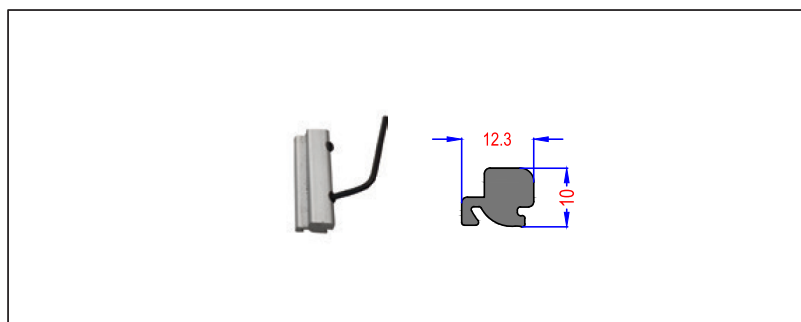
Profile Name:
Glass Stopper
Code Nr.:
PROKON-AL-1532
Material:
Polyamide



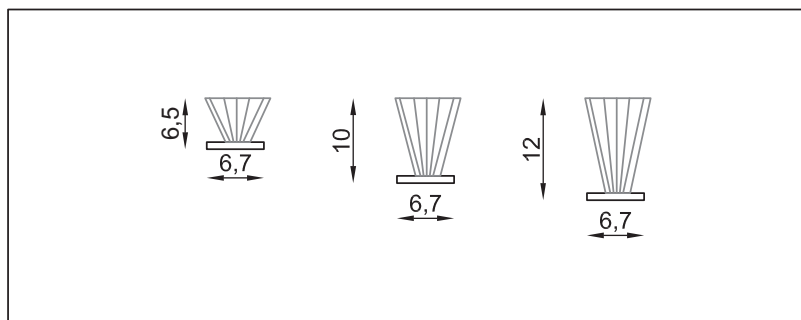
Profile Name:
Angle Miter
Code Nr.:
PROKON-AL-1533
Material:
Polyamide



Profile Name:
Espagnolette Lock Set
Code Nr.:
PROKON-AL-1534
Material:
Polyamide

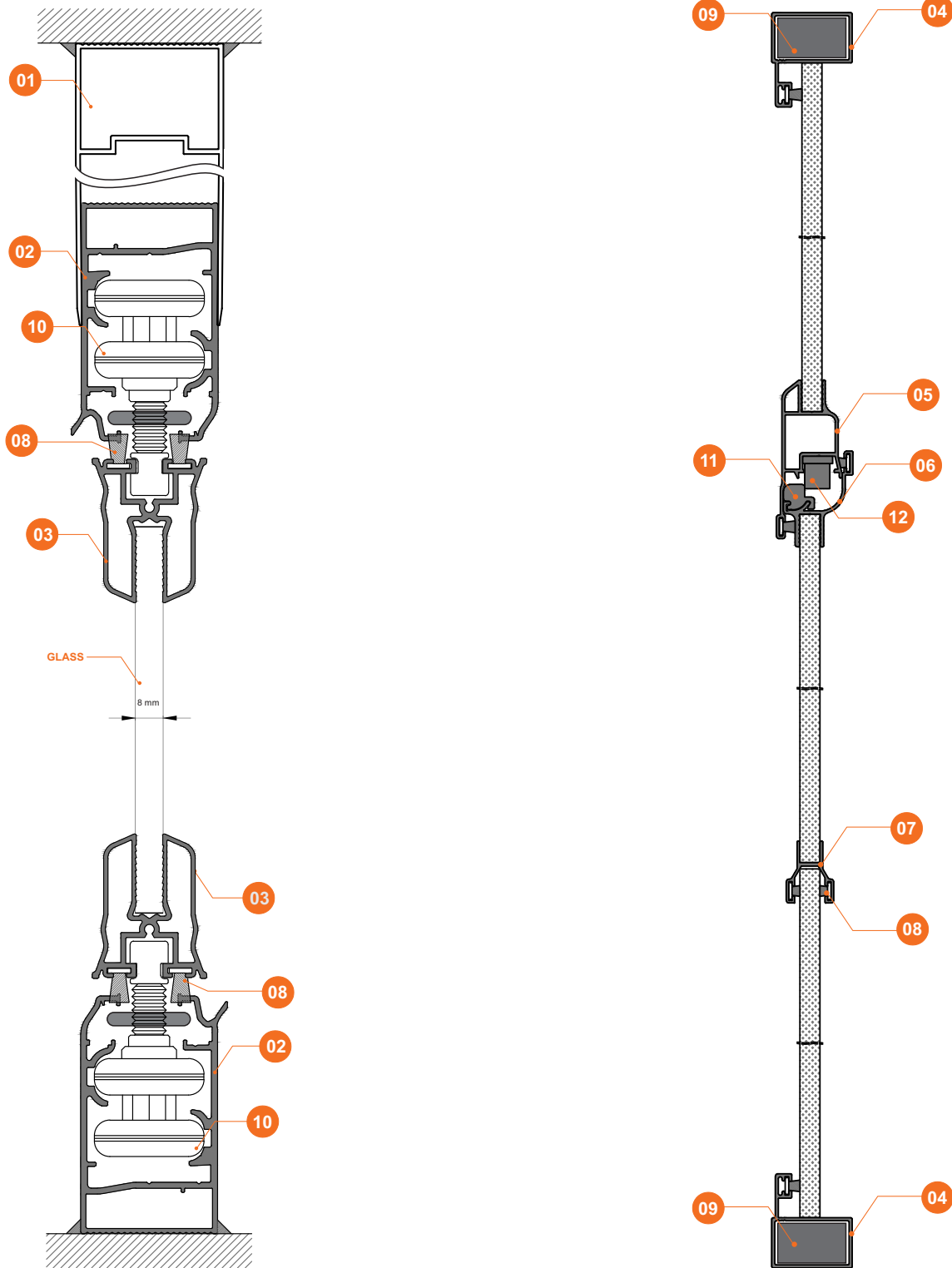


Profile Name:
Lock Strike
Code Nr.:
PROKON-AL-1537
Material:
Aluminum



Profile Name:
Brush 650/1000/1200
Code Nr.:
PROKON-AL-1538-01-02-03
Material:
PVC

Glass Balcony System PROKON SYSTEM

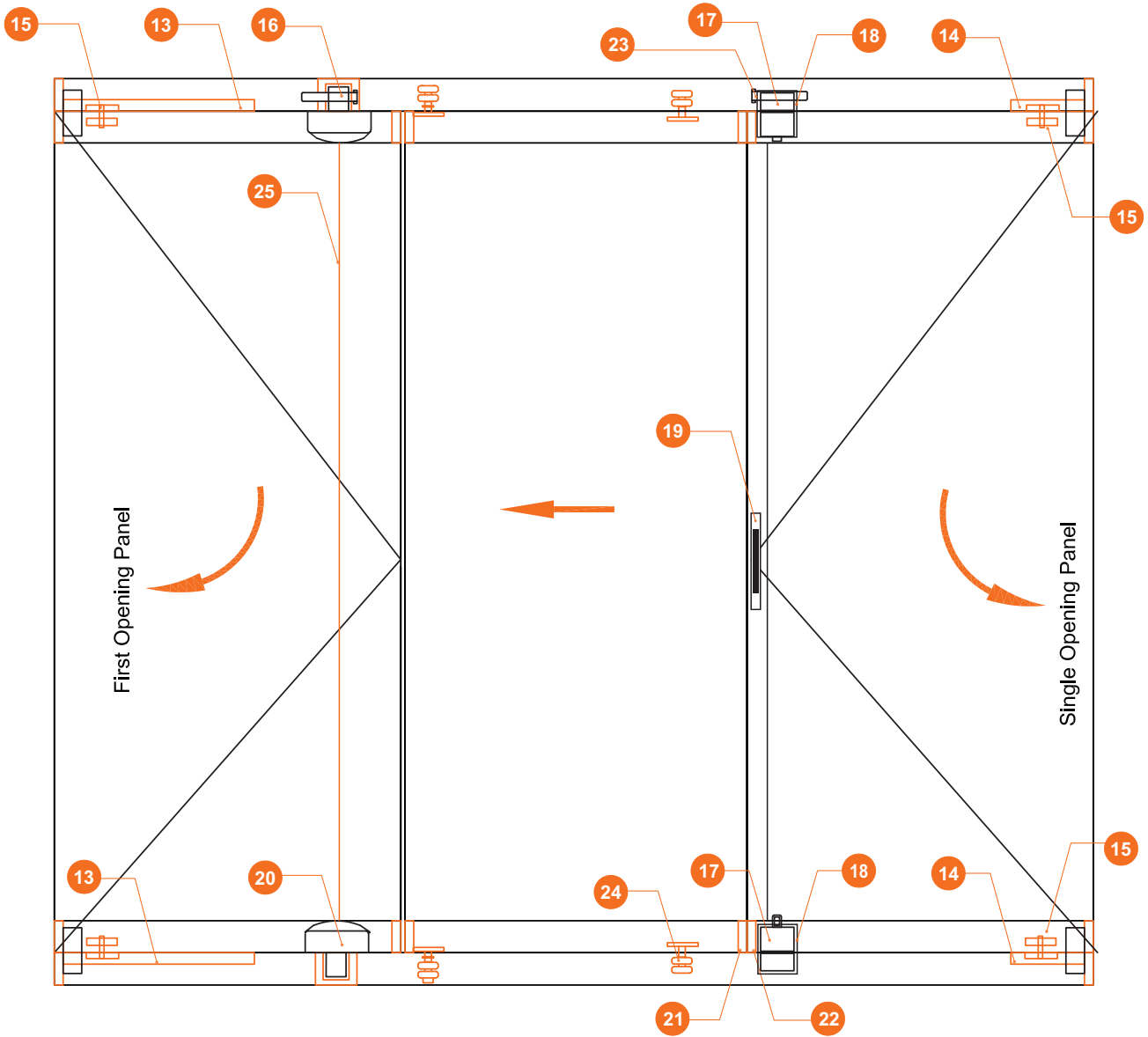


01	PROKON-AL-1535	05	PROKON-AL-1509A	09	PROKON-AL-1514
02	PROKON-AL-1500	06	PROKON-AL-1509B	10	PROKON-AL-1525-1526
03	PROKON-AL-1501	07	PROKON-AL-1504	11	PROKON-AL-1537
04	PROKON-AL-1502	08	PROKON-AL-1538-01-02	12	PROKON-AL-1534

PROKON Front View



Glass Balcony System PROKON SYSTEM



Front View

13	PROKON-AL-1529B	17	PROKON-AL-1523	21	PROKON-AL-1512
14	PROKON-AL-1528	18	PROKON-AL-1522	22	PROKON-AL-1513
15	PROKON-AL-1530	19	PROKON-AL-1534	23	PROKON-AL-1519
16	PROKON-AL-1510	20	PROKON-AL-1511	24	PROKON-AL-1525
				25	PROKON-AL-1511A